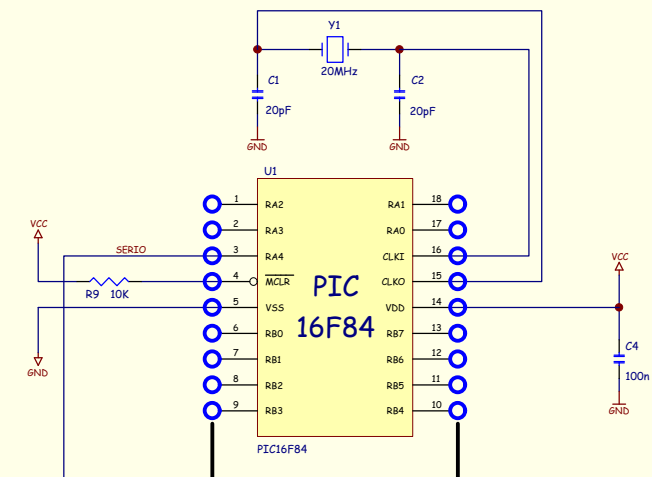
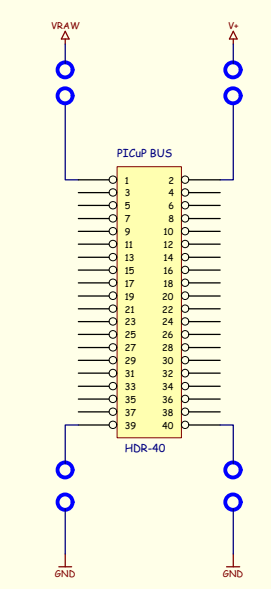
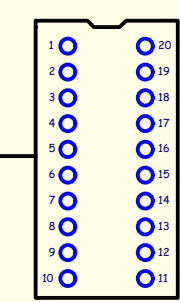
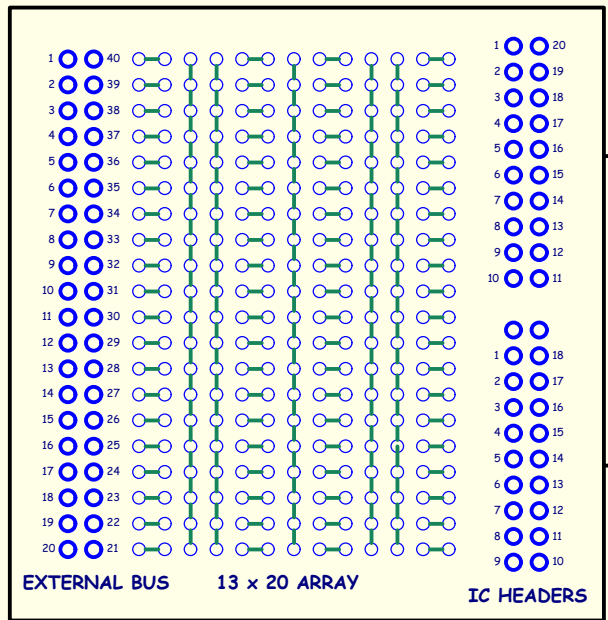
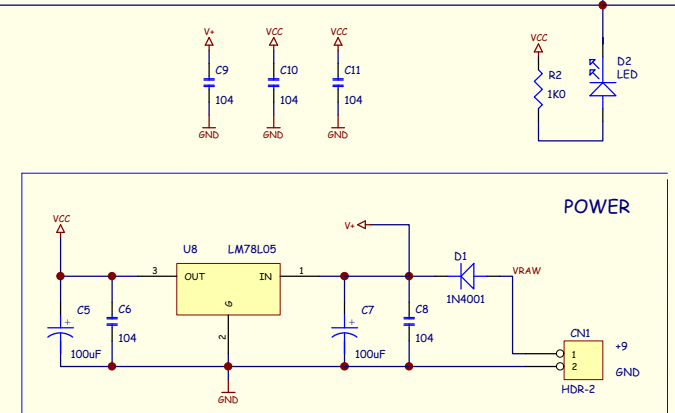
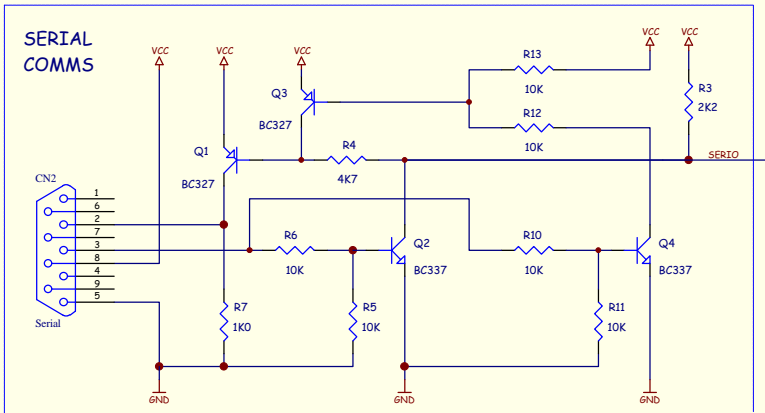



General Purpose PROTOTYPE AREA



SERIO jumper allows the PIC to be disconnected from the RS-232 interface circuit. This allows the PIC to be connected to any circuit using an ICE cable. For some prototype applications TOCT1 may be required as an IO pin.

FLASH BOOT jumper shorts the SERIO signal to ground. This jumper is reserved for future use.



ProtoPOD 

Title ProtoPOD Card		Sheet 1 of 1
A3	Document Number ProtoPOD-01	Rev 1
Date: 8-Feb-2001	E:\PROTOPOD.SCH	